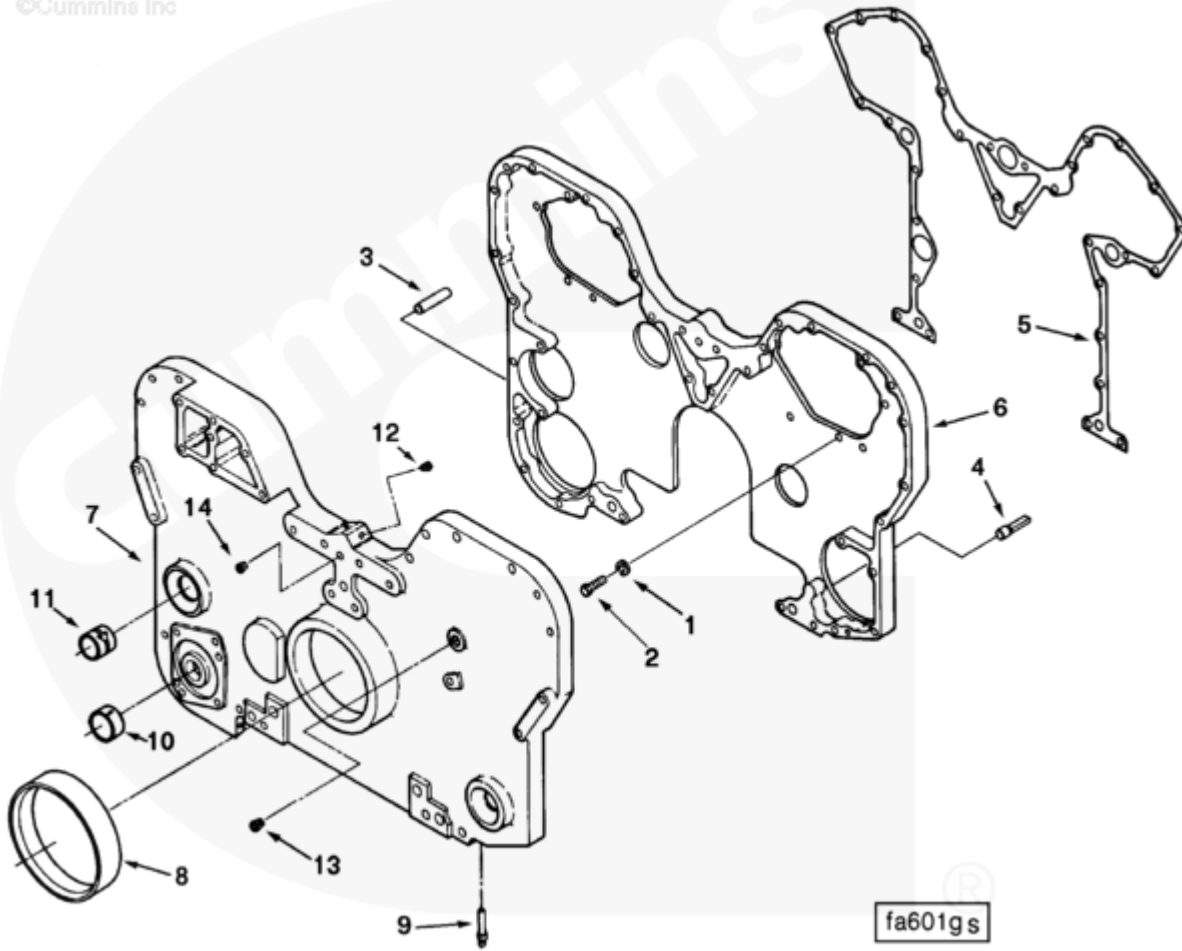




## Parts Catalog - Option Detail

Electronic Parts Catalog - Option Detail				
Option	Group	Graphic	Film Card	Date
FA6719-02	01.06	fa601gs	K38	06-DEC-04
<b>Engines</b>	GTA38, K38, KTA38GC CM558, QSK38 CM2150 K106, QSK38 CM2150 MCRS, QSK38 CM850 MCRS			

©Cummins Inc



[SMALL](#) | [MEDIUM](#) | [LARGE](#)

Cart	Ref No	Part Number	Part Description	Required	Remarks
<a href="#">View My Cart</a>					
		<a href="#">FA6719-02</a>	Gear Cover And Housing		<a href="#">Front gear cover and gear...(More)</a>
					housing for use with front
					hydraulic pump drive
					provisions, and without sea

					water pumps. Special for
					Hitachi only.
<input type="checkbox"/>	1	<a href="#">S 610</a>	Lock Washer	15	7/16 in.
<input type="checkbox"/>	2	<a href="#">103009</a>	Hexagon Head Cap Screw	8	7/16 - 14 X 1 1/4 in.
<input type="checkbox"/>	3	<a href="#">138912</a>	Pin Dowel	1	
<input type="checkbox"/>	4	<a href="#">3176618</a>	Diamond Dowel	1	
<input type="checkbox"/>	5	<a href="#">3178076</a>	Gear Housing Gasket	1	
<input type="checkbox"/>	6	<a href="#">3176918</a>	Gear Housing	1	
<input type="checkbox"/>		<a href="#">3069027</a>	Gear Cover	1	
	7	<a href="#">3627026</a>	Gear Cover	1	
<input type="checkbox"/>	8	<a href="#">205683</a>	Bushing	1	
<input type="checkbox"/>	9	<a href="#">3176649</a>	Tamper Proof Seal	6	
<input type="checkbox"/>	10	<a href="#">3177509</a>	Bushing	1	
<input type="checkbox"/>	11	<a href="#">3177510</a>	Bushing	2	
<input type="checkbox"/>	12	<a href="#">3628605</a>	Pipe Plug	2	1/4 - 18.
<input type="checkbox"/>	13	<a href="#">3628606</a>	Pipe Plug	1	1/2 - 14.
<input type="checkbox"/>	14	<a href="#">3628609</a>	Pipe Plug	1	3/8-18.